

ABP-2045A

Slim Embedded System with Quad Core Intel® Atom™ E3845, 4 Gigabit LAN, 6 COM, 5 USB, 8 GPIO, Fanless, Rugged, Extended Temperature



Features

- Quad Core Intel® Atom™ E3845 1.91GHz Processor
- Rugged, -25°C to 70°C Operating Temperature
- Fanless, Slim and Compact Design
- Dual Display : VGA/ dual HDMI/ LVDS
- 4 Independent Gigabit LAN
- 6 External COM, 8 External GPIO
- 5 External USB : 3 USB 3.0, 2 USB 2.0
- Supports 3G/ 4G/ LTE/ WiFi/ GPRS/ UMTS
- 9V to 28V DC Power Input
- Optional Onboard GPS



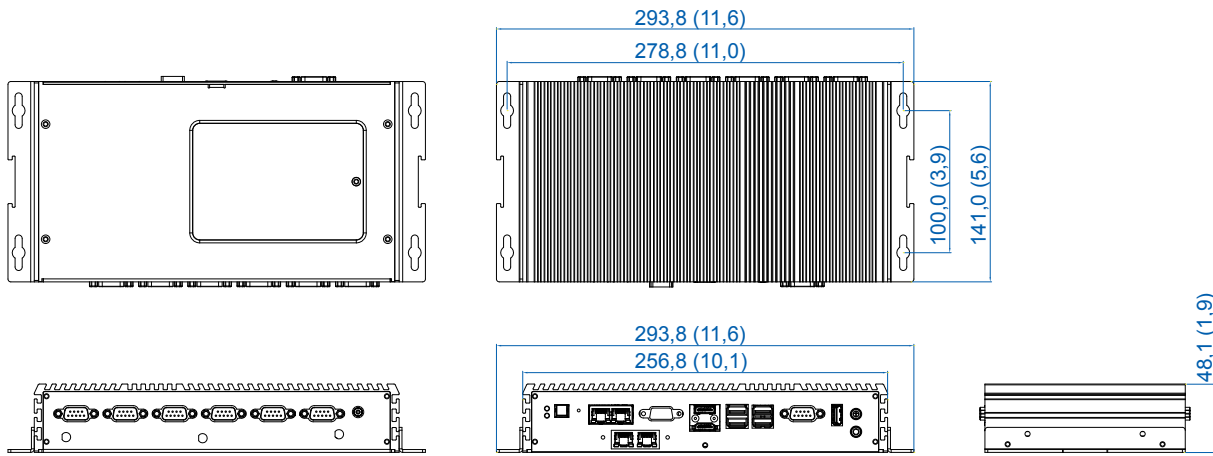
Specifications

| System | |
|---------------------------|--------------------------------------------------------------------------------------------------------------------------------------------------------|
| Processor | Quad Core Intel® Atom™ E3845 1.91GHz Processor (Valleyview) |
| Chipset | Intel® SoC (Bay Trail) |
| BIOS | AMI |
| SIO | IT8786E |
| Memory | 1 DDR3L 1333MHz SO-DIMM, up to 8GB |
| I/O Interface | |
| Serial | 6 External COM : ▪ 4 COM RS-232/ 422/ 485 ▪ 2 COM RS-232 |
| USB | ▪ 3 USB 3.0 (External) ▪ 2 USB 2.0 (External) |
| GPIO | 8 (External) |
| LED | Power, HDD |
| SIM Card | 1 SIM Card Socket (Internal) |
| Expansion | |
| Mini PCIe | 2 Mini PCIe Socket : ▪ 1 Mini PCIe for PCIe/ USB/ SIM Card ▪ 1 Mini PCIe for mSATA |
| Graphics | |
| Graphics Processor | Intel® HD |
| Interface | Dual Display : ▪ VGA : Up to 2560 x 1600 ▪ HDMI 1 : Up to 1920 x 1080 ▪ HDMI 2 : Up to 1920 x 1080 ▪ LVDS : Dual channel 24-bit (Optional) |
| Storage | |
| SATA | 1 SATA II (3Gbps) |
| mSATA | 1 SATA II (Mini PCIe Type, 3Gbps) |
| Storage Device | 1 2.5" SSD/ HDD Bracket (Internal) |
| Audio | |
| Audio Codec | Realtek ALC888S-VD, 7.1 Channel HD Audio |
| Audio Interface | 1 Mic-in, 1 Line-out |
| Ethernet | |
| LAN 1 | Gigabit LAN by Intel® 82574L |
| LAN 2 | Gigabit LAN by Intel® 82574L |
| LAN 3 | Gigabit LAN by Intel® 82583V |
| LAN 4 | Gigabit LAN by Intel® 82583V |

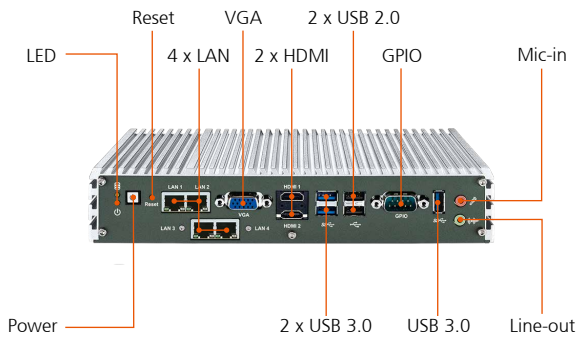
| Power | |
|-------------------------------|-------------------------------------------------------------------------------|
| Power Input | 9V to 28V, DC-in |
| Power Interface | 1 DC Jack |
| Others | |
| Watchdog Timer | Reset : 1 to 255 sec./min. per step |
| Smart Management | Wake on LAN, PXE supported |
| HW Monitor | Monitoring temperature, voltages. Auto throttling control when CPU overheats. |
| GPS | Onboard GPS Module (Optional) |
| Software Support | |
| OS | Windows 8, Windows 7, Linux |
| Mechanical | |
| Dimensions (W x L x H) | 257mm x 141mm x 48mm (10.1" x 5.6" x 1.9") |
| Weight | 2.1 kg (4.6 lb) |
| Mounting | Wallmount by mounting bracket |
| Environment | |
| Operating Temperature | -25°C to 70°C (-13°F to 158°F) |
| Storage Temperature | -40°C to 85°C (-40°F to 185°F) |
| Humidity | 10% to 95% Humidity, non-condensing |
| Relative Humidity | 95% @ 70°C |
| Shock | ▪ IEC 60068-2-27 ▪ SSD : 50G @ wallmount, Half-sine, 11ms |
| Vibration | ▪ IEC 60068-2-64 ▪ SSD : 5Grms, 5Hz to 500Hz, 3 Axis |
| EMC | CE, FCC, EN 50155, EN 50121-3-2 |

Dimensions

Unit : mm/ inch



Front I/O



Rear I/O



Order Information

| | |
|------------------------------------|------------------------------------------------------------------------------------------------------|
| ABP-2045A | ABP-2000 Slim Embedded System, 4 GbE LAN, 6 COM, 5 USB, 8 GPIO, Onboard Quad Core Intel® Atom™ E3845 |
| M340L-W28M1 | Vecow DDR3L 4GB 1333/1066 MHz RAM, Wide Temperature -40°C to +85°C |
| DDR3L4G | Certified DDR3L-1600 4G RAM |
| DDR3L8G | Certified DDR3L-1600 8G RAM |
| PWA-60W | 60W, 12V/5A 100V AC to 240V AC Power Adapter for DC-Jack |
| VESA Mount | VESA Mounting Kit |
| DIN-RAIL | DIN Rail Kit |
| 3G Module | Mini PCIe 3G/GPS Module with Antenna |
| 4G Module | Mini PCIe 4G/GPS Module with Antenna |
| WiFi & Bluetooth Module | Intel® Mini PCIe WiFi & Bluetooth Module with Antenna |